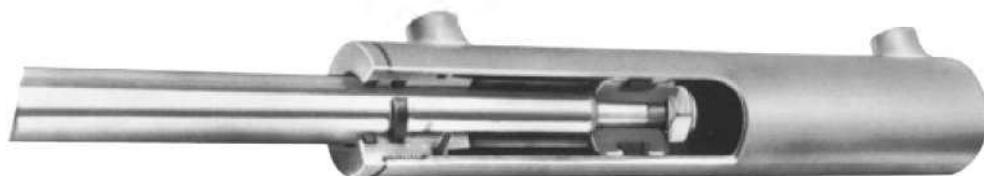


2.8 Martinetti idraulici & cilindri

Hydraulic jacks & cylinders

ГИДРОУПРАВЛЕНИЕ



CILINDRI A DOPPIO EFFETTO SENZA SUPPORTI D'ATTACCO

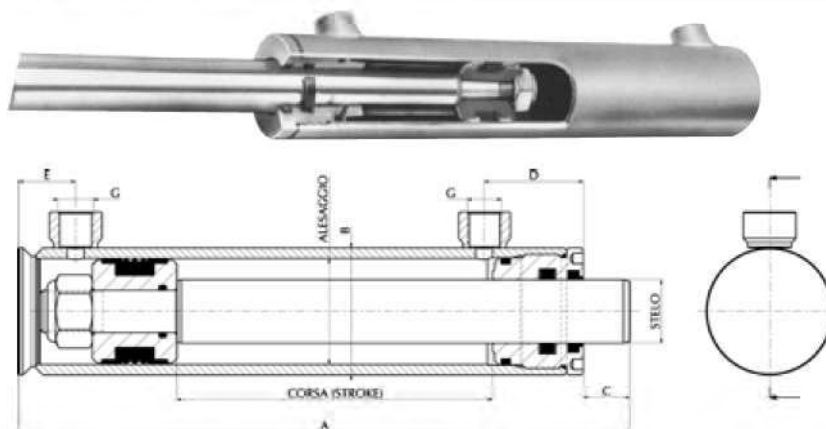
VERINS A DOUBLE EFFET SANS FIXATION

HYDRAULIC CYLINDERS DOUBLE ACTING WITHOUT ENDS

HYDRAULISCHE ZYLINDER DOPPELWIRKEND OHNE ANSCHLÜSSE

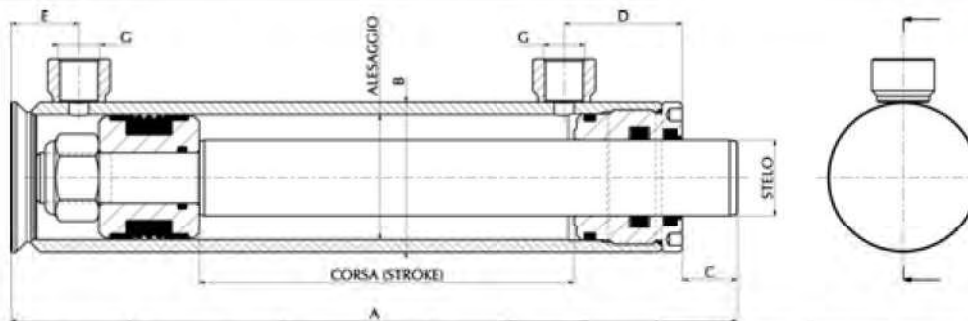
CILINDROS DOBLE EFECTO SIN FISACIONES

ЦИЛИНДРЫ ДВОЙНОГО ДЕЙСТВИЯ БЕЗ ОПОР КРЕПЛЕНИЯ

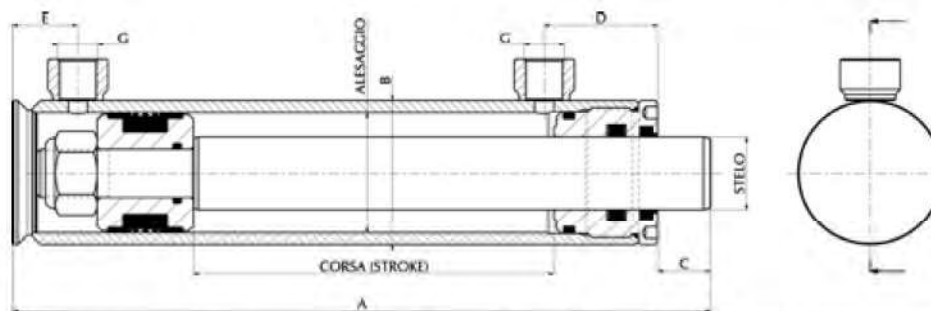


Pressione esercizio 180 bar. Pressione di picco: massimo 250 bar. Temperatura: -25° / +80° C. Barra cromata: acciaio Uni C45. Spessore cromatura: Cromo 25 Micron +/- 5. Tubo: Acciaio Din 2393 - Iso H9. 05176

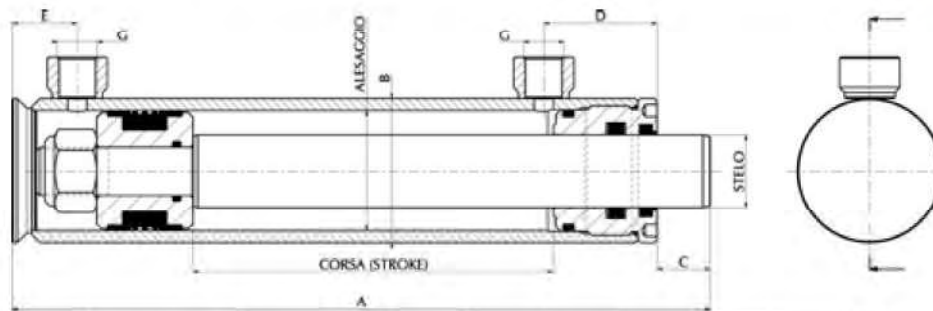
Art./Ref.	Alesaggio/Cylinder bore	Stelo /Rod Ø	Corsa/Stroke	A mm	B mm	C mm	D mm	E mm	G mm	Kit testa-kit pistone/Rod guide kit-piston kit
82642	25	16	50	150	35	25	28	20	G1/4"	
82643	25	16	100	200	35	25	28	20	G 1/4"	0AS160GCA - 06138
82644	25	16	150	250	35	25	28	20	G 1/4"	0AS160GCA - 06138
82645	25	16	200	300	35	25	28	20	G 1/4"	0AS160GCA - 06138
82646	25	16	250	350	35	25	28	20	G 1/4"	0AS160GCA - 06138
82647	25	16	300	400	35	25	28	20	G 1/4"	0AS160GCA - 06138
81100	32	20	50	180	40	29	35	23	G 1/4"	0AS3220GC - 80723
81101	32	20	100	230	40	29	35	23	G 1/4"	0AS3220GC - 80723
81102	32	20	150	280	40	29	35	23	G 1/4"	0AS3220GC - 80723
81103	32	20	200	330	40	29	35	23	G 1/4"	0AS3220GC - 80723
81104	32	20	250	380	40	29	35	23	G 1/4"	0AS3220GC - 80723
81105	32	20	300	430	40	29	35	23	G 1/4"	0AS3220GC - 80723
81106	32	20	350	480	40	29	35	23	G 1/4"	0AS3220GC - 80723
81107	32	20	400	530	40	29	35	23	G 1/4"	0AS3220GC - 80723
81108	32	20	450	580	40	29	35	23	G 1/4"	0AS3220GC - 80723
81109	32	20	500	630	40	29	35	23	G 1/4"	0AS3220GC - 80723
81110	32	20	550	680	40	29	35	23	G 1/4"	0AS3220GC - 80723
81111	32	20	600	730	40	29	35	23	G 1/4"	0AS3220GC - 80723
81140	40	20	50	180	50	22	44	23	G 1/4"	0AS4020GC - 06130
37219	40	20	100	230	50	22	44	23	G 1/4"	0AS4020GC - 06130
17288	40	20	150	280	50	22	44	23	G 1/4"	0AS4020GC - 06130
17289	40	20	200	330	50	22	44	23	G 1/4"	0AS4020GC - 06130
17290	40	20	250	380	50	22	44	23	G 1/4"	0AS4020GC - 06130
17291	40	20	300	430	50	22	44	23	G 1/4"	0AS4020GC - 06130
17553	40	20	350	480	50	22	44	23	G 1/4"	0AS4020GC - 06130
17292	40	20	400	530	50	22	44	23	G 1/4"	0AS4020GC - 06130
17554	40	20	450	580	50	22	44	23	G 1/4"	0AS4020GC - 06130
81141	40	20	500	630	50	22	44	23	G 1/4"	0AS4020GC - 06130
81142	40	20	550	680	50	22	44	23	G 1/4"	0AS4020GC - 06130
81143	40	20	600	730	50	22	44	23	G 1/4"	0AS4020GC - 06130
81144	40	20	650	780	50	22	44	23	G 1/4"	0AS4020GC - 06130
81145	40	20	700	830	50	22	44	23	G 1/4"	0AS4020GC - 06130
81146	40	20	750	880	50	22	44	23	G 1/4"	0AS4020GC - 06130
81147	40	20	800	930	50	22	44	23	G 1/4"	0AS4020GC - 06130
81148	40	20	850	980	50	22	44	23	G 1/4"	0AS4020GC - 06130
81149	40	20	900	1030	50	22	44	23	G 1/4"	0AS4020GC - 06130



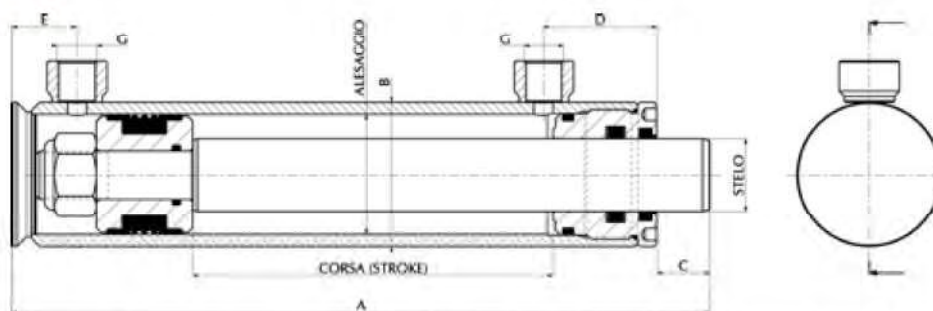
Art./Ref.	Alesaggio/Cylinder bore	Stelo Ø/Rod Ø	Corsa/Stroke	A mm	B mm	C mm	D mm	E mm	G mm	Kit testa-kit pistone/Rod guide kit-piston kit
81150	40	20	950	1080	50	22	44	23	G 1/4"	0AS4020GC - 06130
81151	40	20	1000	1130	50	22	44	23	G 1/4"	0AS4020GC - 06130
81152	40	25	50	180	50	22	44	23	G 1/4"	0AS4025GC - 06130
81153	40	25	100	230	50	22	44	23	G 1/4"	0AS4025GC - 06130
04928	40	25	150	280	50	22	44	23	G 1/4"	0AS4025GC - 06130
04929	40	25	200	330	50	22	44	23	G 1/4"	0AS4025GC - 06130
04930	40	25	250	380	50	22	44	23	G 1/4"	0AS4025GC - 06130
04931	40	25	300	430	50	22	44	23	G 1/4"	0AS4025GC - 06130
17555	40	25	350	480	50	22	44	23	G 1/4"	0AS4025GC - 06130
04932	40	25	400	530	50	22	44	23	G 1/4"	0AS4025GC - 06130
17556	40	25	450	580	50	22	44	23	G 1/4"	0AS4025GC - 06130
37220	40	25	500	630	50	22	44	23	G 1/4"	0AS4025GC - 06130
81154	40	25	550	680	50	22	44	23	G 1/4"	0AS4025GC - 06130
37221	40	25	600	730	50	22	44	23	G 1/4"	0AS4025GC - 06130
81155	40	25	650	780	50	22	44	23	G 1/4"	0AS4025GC - 06130
81156	40	25	700	830	50	22	44	23	G 1/4"	0AS4025GC - 06130
81157	40	25	750	880	50	22	44	23	G 1/4"	0AS4025GC - 06130
81158	40	25	800	930	50	22	44	23	G 1/4"	0AS4025GC - 06130
81159	40	25	850	980	50	22	44	23	G 1/4"	0AS4025GC - 06130
81160	40	25	900	1030	50	22	44	23	G 1/4"	0AS4025GC - 06130
81161	40	25	950	1080	50	22	44	23	G 1/4"	0AS4025GC - 06130
81162	40	25	1000	1130	50	22	44	23	G 1/4"	0AS4025GC - 06130
37222	50	25	100	240	60	22	47	27	G 3/8"	0AS5025GC - 06132
17293	50	25	150	290	60	22	47	27	G 3/8"	0AS5025GC - 06132
17294	50	25	200	340	60	22	47	27	G 3/8"	0AS5025GC - 06132
17295	50	25	250	390	60	22	47	27	G 3/8"	0AS5025GC - 06132
17296	50	25	300	440	60	22	47	27	G 3/8"	0AS5025GC - 06132
17557	50	25	350	490	60	22	47	27	G 3/8"	0AS5025GC - 06132
17297	50	25	400	540	60	22	47	27	G 3/8"	0AS5025GC - 06132
17558	50	25	450	590	60	22	47	27	G 3/8"	0AS5025GC - 06132
17298	50	25	500	640	60	22	47	27	G 3/8"	0AS5025GC - 06132
17559	50	25	550	690	60	22	47	27	G 3/8"	0AS5025GC - 06132
17299	50	25	600	740	60	22	47	27	G 3/8"	0AS5025GC - 06132
81163	50	25	650	790	60	22	47	27	G 3/8"	0AS5025GC - 06132
81164	50	25	700	840	60	22	47	27	G 3/8"	0AS5025GC - 06132
81165	50	25	750	890	60	22	47	27	G 3/8"	0AS5025GC - 06132
37223	50	25	800	940	60	22	47	27	G 3/8"	0AS5025GC - 06132
81166	50	25	850	990	60	22	47	27	G 3/8"	0AS5025GC - 06132
81167	50	25	900	1040	60	22	47	27	G 3/8"	0AS5025GC - 06132
81168	50	25	950	1090	60	22	47	27	G 3/8"	0AS5025GC - 06132
37224	50	25	1000	1140	60	22	47	27	G 3/8"	0AS5025GC - 06132
81169	50	30	100	240	60	22	47	27	G 3/8"	0AS5030GC - 06132
04933	50	30	150	290	60	22	47	27	G 3/8"	0AS5030GC - 06132
04934	50	30	200	340	60	22	47	27	G 3/8"	0AS5030GC - 06132
04935	50	30	250	390	60	22	47	27	G 3/8"	0AS5030GC - 06132
04936	50	30	300	440	60	22	47	27	G 3/8"	0AS5030GC - 06132
17560	50	30	350	490	60	22	47	27	G 3/8"	0AS5030GC - 06132
04937	50	30	400	540	60	22	47	27	G 3/8"	0AS5030GC - 06132
17561	50	30	450	590	60	22	47	27	G 3/8"	0AS5030GC - 06132



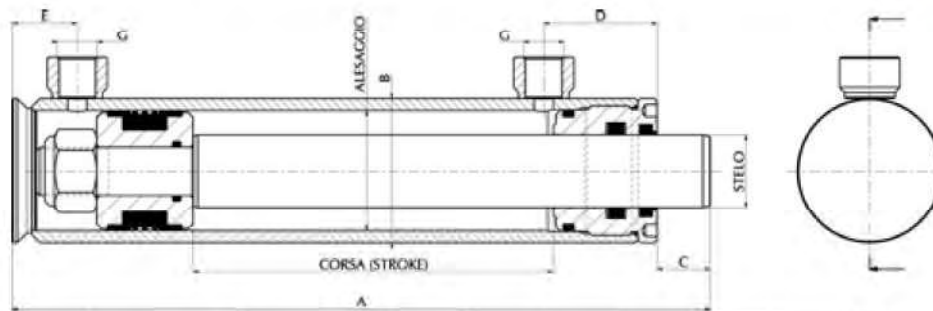
Art./Ref.	Alesaggio/Cylinder bore	Stelo Ø/Rod Ø	Corsa/Stroke	A mm	B mm	C mm	D mm	E mm	G mm	Kit testa-kit pistone/Rod guide kit-piston kit
04938	50	30	500	640	60	22	47	27	G 3/8"	0AS5030GC - 06132
17562	50	30	550	690	60	22	47	27	G 3/8"	0AS5030GC - 06132
04939	50	30	600	740	60	22	47	27	G 3/8"	0AS5030GC - 06132
81196	50	30	700	840	60	22	47	27	G 3/8"	0AS5030GC - 06132
81197	50	30	750	890	60	22	47	27	G 3/8"	0AS5030GC - 06132
37225	50	30	800	940	60	22	47	27	G 3/8"	0AS5030GC - 06132
81199	50	30	900	1040	60	22	47	27	G 3/8"	0AS5030GC - 06132
37226	50	30	1000	1140	60	22	47	27	G 3/8"	0AS5030GC - 06132
17563	60	30	100	260	70	23	54	25	G 3/8"	0AS6030GC - 06133
17300	60	30	150	310	70	23	54	25	G 3/8"	0AS6030GC - 06133
17301	60	30	200	360	70	23	54	25	G 3/8"	0AS6030GC - 06133
17302	60	30	250	410	70	23	54	25	G 3/8"	0AS6030GC - 06133
17303	60	30	300	460	70	23	54	25	G 3/8"	0AS6030GC - 06133
17564	60	30	350	510	70	23	54	25	G 3/8"	0AS6030GC - 06133
17304	60	30	400	560	70	23	54	25	G 3/8"	0AS6030GC - 06133
17565	60	30	450	610	70	23	54	25	G 3/8"	0AS6030GC - 06133
17305	60	30	500	660	70	23	54	25	G 3/8"	0AS6030GC - 06133
17566	60	30	550	710	70	23	54	25	G 3/8"	0AS6030GC - 06133
17306	60	30	600	760	70	23	54	25	G 3/8"	0AS6030GC - 06133
81201	60	30	650	810	70	23	54	25	G 3/8"	0AS6030GC - 06133
81202	60	30	700	860	70	23	54	25	G 3/8"	0AS6030GC - 06133
81203	60	30	750	910	70	23	54	25	G 3/8"	0AS6030GC - 06133
37227	60	30	800	960	70	23	54	25	G 3/8"	0AS6030GC - 06133
81204	60	30	850	1010	70	23	54	25	G 3/8"	0AS6030GC - 06133
81205	60	30	900	1060	70	23	54	25	G 3/8"	0AS6030GC - 06133
81206	60	30	950	1110	70	23	54	25	G 3/8"	0AS6030GC - 06133
37228	60	30	1000	1160	70	23	54	25	G 3/8"	0AS6030GC - 06133
17567	60	35	100	260	70	23	54	25	G 3/8"	06133 - 0AS6035GC
17568	60	35	150	310	70	23	54	25	G 3/8"	06133 - 0AS6035GC
17307	60	35	200	360	70	23	54	25	G 3/8"	06133 - 0AS6035GC
17308	60	35	250	410	70	23	54	25	G 3/8"	06133 - 0AS6035GC
17309	60	35	300	460	70	23	54	25	G 3/8"	06133 - 0AS6035GC
17569	60	35	350	510	70	23	54	25	G 3/8"	06133 - 0AS6035GC
17310	60	35	400	560	70	23	54	25	G 3/8"	06133 - 0AS6035GC
17570	60	35	450	610	70	23	54	25	G 3/8"	06133 - 0AS6035GC
17311	60	35	500	660	70	23	54	25	G 3/8"	06133 - 0AS6035GC
17571	60	35	550	710	70	23	54	25	G 3/8"	06133 - 0AS6035GC
17312	60	35	600	760	70	23	54	25	G 3/8"	06133 - 0AS6035GC
80809	60	35	700	860	70	23	54	25	G 3/8"	06133 - 0AS6035GC
81561	60	35	750	910	70	23	54	25	G 3/8"	06133 - 0AS6035GC
37229	60	35	800	960	70	23	54	25	G 3/8"	06133 - 0AS6035GC
81562	60	35	850	1010	70	23	54	25	G 3/8"	06133 - 0AS6035GC
0603590	60	35	900	1060	70	23	54	25	G 3/8"	06133 - 0AS6035GC
81563	60	35	950	1110	70	23	54	25	G 3/8"	06133 - 0AS6035GC
37230	60	35	1000	1160	70	23	54	25	G 3/8"	06133 - 0AS6035GC
81564	60	40	100	260	70	23	54	25	G 3/8"	0AS6040GC - 18219
81565	60	40	150	310	70	23	54	25	G 3/8"	0AS6040GC - 18219
37241	60	40	200	360	70	23	54	25	G 3/8"	0AS6040GC - 18219
37242	60	40	250	410	70	23	54	25	G 3/8"	0AS6040GC - 18219



Art./Ref.	Alesaggio/Cylinder bore	Stelo Ø/Rod Ø	Corsa/Stroke	A mm	B mm	C mm	D mm	E mm	G mm	Kit testa-kit pistone/Rod guide kit-piston kit
37243	60	40	300	460	70	23	54	25	G 3/8"	OAS6040GC - 18219
37244	60	40	350	510	70	23	54	25	G 3/8"	OAS6040GC - 18219
37245	60	40	400	560	70	23	54	25	G 3/8"	OAS6040GC - 18219
37246	60	40	450	610	70	23	54	25	G 3/8"	OAS6040GC - 18219
37247	60	40	500	660	70	23	54	25	G 3/8"	OAS6040GC - 18219
81566	60	40	550	710	70	23	54	25	G 3/8"	OAS6040GC - 18219
37249	60	40	600	760	70	23	54	25	G 3/8"	OAS6040GC - 18219
0604070	60	40	700	860	70	23	54	25	G 3/8"	OAS6040GC - 18219
37250	60	40	800	960	70	23	54	25	G 3/8"	OAS6040GC - 18219
81569	60	40	850	1010	70	23	54	25	G 3/8"	OAS6040GC - 18219
0604090	60	40	900	1060	70	23	54	25	G 3/8"	OAS6040GC - 18219
81570	60	40	950	1110	70	23	54	25	G 3/8"	OAS6040GC - 18219
37251	60	40	1000	1160	70	23	54	25	G 3/8"	OAS6040GC - 18219
37231	70	35	100	260	80	23	54	25	G 3/8"	OAS7035GC - 06135
37232	70	35	150	310	80	23	54	25	G 3/8"	OAS7035GC - 06135
17319	70	35	200	360	80	23	54	25	G 3/8"	OAS7035GC - 06135
17320	70	35	250	410	80	23	54	25	G 3/8"	OAS7035GC - 06135
17321	70	35	300	460	80	23	54	25	G 3/8"	OAS7035GC - 06135
17572	70	35	350	510	80	23	54	25	G 3/8"	OAS7035GC - 06135
17322	70	35	400	560	80	23	54	25	G 3/8"	OAS7035GC - 06135
17573	70	35	450	610	80	23	54	25	G 3/8"	OAS7035GC - 06135
17323	70	35	500	660	80	23	54	25	G 3/8"	OAS7035GC - 06135
17574	70	35	550	710	80	23	54	25	G 3/8"	OAS7035GC - 06135
17324	70	35	600	760	80	23	54	25	G 3/8"	OAS7035GC - 06135
0703565	70	35	650	810	80	23	54	25	G 3/8"	OAS7035GC - 06135
0703570	70	35	700	860	80	23	54	25	G 3/8"	OAS7035GC - 06135
0703575	70	35	750	910	80	23	54	25	G 3/8"	OAS7035GC - 06135
37233	70	35	800	960	80	23	54	25	G 3/8"	OAS7035GC - 06135
81584	70	35	850	1010	80	23	54	25	G 3/8"	OAS7035GC - 06135
0703590	70	35	900	1060	80	23	54	23	G 3/8"	OAS7035GC - 06135
81585	70	35	950	1110	80	23	54	25	G 3/8"	OAS7035GC - 06135
37234	70	35	1000	1160	80	23	54	25	G 3/8"	OAS7035GC - 06135
070410	70	40	100	260	80	23	54	25	G 3/8"	06135 - OAS7040GC
070415	70	40	150	310	80	23	54	25	G 3/8"	06135 - OAS7040GC
04946	70	40	200	360	80	23	54	25	G 3/8"	06135 - OAS7040GC
04947	70	40	250	410	80	23	54	25	G 3/8"	06135 - OAS7040GC
04948	70	40	300	460	80	23	54	25	G 3/8"	06135 - OAS7040GC
17575	70	40	350	510	80	23	54	25	G 3/8"	06135 - OAS7040GC
04949	70	40	400	560	80	23	54	25	G 3/8"	06135 - OAS7040GC
17576	70	40	450	610	80	23	54	25	G 3/8"	06135 - OAS7040GC
04950	70	40	500	660	80	23	54	25	G 3/8"	06135 - OAS7040GC
17577	70	40	550	710	80	23	54	25	G 3/8"	06135 - OAS7040GC
04951	70	40	600	760	80	23	54	25	G 3/8"	06135 - OAS7040GC
81586	70	40	650	810	80	23	54	25	G 3/8"	06135 - OAS7040GC
0704070	70	40	700	860	80	23	54	25	G 3/8"	06135 - OAS7040GC
0407075	70	40	750	860	80	23	54	25	G 3/8"	06135 - OAS7040GC
37235	70	40	800	960	80	23	54	25	G 3/8"	06135 - OAS7040GC
81587	70	40	850	1010	80	23	54	25	G 3/8"	06135 - OAS7040GC



Art./Ref.	Alesaggio/Cylinder bore	Stelo /Rod Ø	Corsa/Stroke	A mm	B mm	C mm	D mm	E mm	G mm	Kit testa-kit pistone/Rod guide kit-piston kit
81588	70	40	900	1060	80	23	54	25	G 3/8"	06135 - 0AS7040GC
37236	70	40	1000	1160	80	23	54	25	G 3/8"	06135 - 0AS7040GC
81590	80	40	100	275	95	25	64	25	G 3/8"	06136 - 0AS8040GC
0804015	80	40	150	325	95	25	64	25	G 3/8"	06136 - 0AS8040GC
04952	80	40	200	375	95	25	64	25	G 3/8"	06136 - 0AS8040GC
04953	80	40	250	425	95	25	64	25	G 3/8"	06136 - 0AS8040GC
04954	80	40	300	475	95	25	64	25	G 3/8"	06136 - 0AS8040GC
0804035	80	40	350	525	95	25	64	25	G 3/8"	06136 - 0AS8040GC
04955	80	40	400	575	95	25	64	25	G 3/8"	06136 - 0AS8040GC
0804045	80	40	450	625	95	25	64	25	G 3/8"	06136 - 0AS8040GC
04956	80	40	500	675	95	25	64	25	G 3/8"	06136 - 0AS8040GC
81591	80	40	550	725	95	25	64	25	G 3/8"	06136 - 0AS8040GC
04957	80	40	600	775	95	25	64	25	G 3/8"	06136 - 0AS8040GC
81592	80	40	650	825	95	25	64	25	G 3/8"	06136 - 0AS8040GC
0804070	80	40	700	875	95	25	64	25	G 3/8"	06136 - 0AS8040GC
81593	80	40	750	925	95	25	64	25	G 3/8"	06136 - 0AS8040GC
37237	80	40	800	975	95	25	64	25	G 3/8"	06136 - 0AS8040GC
81594	80	40	850	1025	95	25	64	25	G 3/8"	06136 - 0AS8040GC
81595	80	40	900	1075	95	25	64	25	G 3/8"	06136 - 0AS8040GC
81596	80	40	950	1125	95	25	64	25	G 3/8"	06136 - 0AS8040GC
37238	80	40	1000	1175	95	25	64	25	G 3/8"	06136 - 0AS8040GC
81597	80	50	100	275	95	25	64	25	G 3/8"	06136 - 0AS8050GC
81598	80	50	150	325	95	25	64	25	G 3/8"	06136 - 0AS8050GC
17325	80	50	200	375	95	25	64	25	G 3/8"	06136 - 0AS8050GC
17326	80	50	250	425	95	25	64	25	G 3/8"	06136 - 0AS8050GC
17327	80	50	300	475	95	25	64	25	G 3/8"	06136 - 0AS8050GC
0805035	80	50	350	525	95	25	64	25	G 3/8"	06136 - 0AS8050GC
17328	80	50	400	575	95	25	64	25	G 3/8"	06136 - 0AS8050GC
0805045	80	50	450	625	95	25	64	25	G 3/8"	06136 - 0AS8050GC
17329	80	50	500	675	95	25	64	25	G 3/8"	06136 - 0AS8050GC
0805055	80	50	550	725	95	25	64	25	G 3/8"	06136 - 0AS8050GC
17330	80	50	600	775	95	25	64	25	G 3/8"	06136 - 0AS8050GC
81599	80	50	650	825	95	25	64	25	G 3/8"	06136 - 0AS8050GC
0805070	80	50	700	875	95	25	64	25	G 3/8"	06136 - 0AS8050GC
0805075	80	50	750	925	95	25	64	25	G 3/8"	06136 - 0AS8050GC
37239	80	50	800	975	95	25	64	25	G 3/8"	06136 - 0AS8050GC
81600	80	50	850	1025	95	25	64	25	G 3/8"	06136 - 0AS8050GC
0805090	80	50	900	1075	95	25	64	25	G 3/8"	06136 - 0AS8050GC
81601	80	50	950	1125	95	25	64	25	G 3/8"	06136 - 0AS8050GC
37240	80	50	1000	1175	95	25	64	25	G 3/8"	06136 - 0AS8050GC
0905010	90	50	100	290	105	37	64	28	G 3/8"	0AS9050GC - 06137
81632	90	50	150	340	105	37	64	28	G 3/8"	0AS9050GC - 06137
81633	90	50	200	390	105	37	64	28	G 3/8"	0AS9050GC - 06137
0905025	90	50	250	440	105	37	64	28	G 3/8"	0AS9050GC - 06137
0905030	90	50	300	490	105	37	64	28	G 3/8"	0AS9050GC - 06137
81634	90	50	350	540	105	37	64	28	G 3/8"	0AS9050GC - 06137
0905040	90	50	400	590	105	37	64	28	G 3/8"	0AS9050GC - 06137
81635	90	50	450	640	105	37	64	28	G 3/8"	0AS9050GC - 06137



Art./Ref.	Alesaggio/Cylinder bore	Stelo Ø/Rod Ø	Corsa/Stroke	A mm	B mm	C mm	D mm	E mm	G mm	Kit testa-kit pistone/Rod guide kit-piston kit
0905050	90	50	500	690	105	37	64	28	G 3/8"	OAS9050GC - 06137
81636	90	50	550	740	105	37	64	28	G 3/8"	OAS9050GC - 06137
0905060	90	50	600	790	105	37	64	28	G 3/8"	OAS9050GC - 06137
81637	90	50	650	840	105	37	64	28	G 3/8"	OAS9050GC - 06137
81638	90	50	700	890	105	37	64	28	G 3/8"	OAS9050GC - 06137
0905075	90	50	750	940	105	37	64	28	G 3/8"	OAS9050GC - 06137
81639	90	50	800	990	105	37	64	28	G 3/8"	OAS9050GC - 06137
81640	90	50	850	1040	105	37	64	28	G 3/8"	OAS9050GC - 06137
81641	90	50	900	1090	105	37	64	28	G 3/8"	OAS9050GC - 06137
81642	90	50	950	1140	105	37	64	28	G 3/8"	OAS9050GC - 06137
09050100	90	50	1000	1190	105	37	64	28	G 3/8"	OAS9050GC - 06137
81643	100	50	100	290	115	25	66	28	G 3/8"	OAS150GCA - 06138
81644	100	50	150	340	115	25	66	28	G 3/8"	OAS150GCA - 06138
0A15020	100	50	200	390	115	25	66	28	G 3/8"	OAS150GCA - 06138
17341	100	50	250	440	115	25	66	28	G 3/8"	OAS150GCA - 06138
17342	100	50	300	490	115	25	66	28	G 3/8"	OAS150GCA - 06138
81645	100	50	350	540	115	25	66	28	G 3/8"	OAS150GCA - 06138
17343	100	50	400	590	115	25	66	28	G 3/8"	OAS150GCA - 06138
81646	100	50	450	640	115	25	66	28	G 3/8"	OAS150GCA - 06138
17344	100	50	500	690	115	25	66	28	G 3/8"	OAS150GCA - 06138
81647	100	50	550	740	115	25	66	28	G 3/8"	OAS150GCA - 06138
17345	100	50	600	790	115	25	66	28	G 3/8"	OAS150GCA - 06138
81648	100	50	650	840	115	25	66	28	G 3/8"	OAS150GCA - 06138
0A15070	100	50	700	890	115	25	66	28	G 3/8"	OAS150GCA - 06138
81649	100	50	750	940	115	25	66	28	G 3/8"	OAS150GCA - 06138
81650	100	50	800	990	115	25	66	28	G 3/8"	OAS150GCA - 06138
0A150100	100	50	1000	1190	115	25	66	28	G 3/8"	OAS150GCA - 06138
81654	100	60	100	290	115	25	66	28	G 3/8"	OAS160GCA - 06138
0A16015	100	60	150	340	115	25	66	28	G 3/8"	OAS160GCA - 06138
81655	100	60	200	390	115	25	66	28	G 3/8"	OAS160GCA - 06138
17346	100	60	250	440	115	25	66	28	G 3/8"	OAS160GCA - 06138
17347	100	60	300	490	115	25	66	28	G 3/8"	OAS160GCA - 06138
81656	100	60	350	540	115	25	66	28	G 3/8"	OAS160GCA - 06138
17348	100	60	400	590	115	25	66	28	G 3/8"	OAS160GCA - 06138
81657	100	60	450	640	115	25	66	28	G 3/8"	OAS160GCA - 06138
17349	100	60	500	690	115	25	66	28	G 3/8"	OAS160GCA - 06138
81658	100	60	550	740	115	25	66	28	G 3/8"	OAS160GCA - 06138
17350	100	60	600	790	115	25	66	28	G 3/8"	OAS160GCA - 06138
81659	100	60	650	840	115	25	66	28	G 3/8"	OAS160GCA - 06138
0A16070	100	60	700	890	115	25	66	28	G 3/8"	OAS160GCA - 06138
81660	100	60	750	940	115	25	66	28	G 3/8"	OAS160GCA - 06138
0A16080	100	60	800	990	115	25	66	28	G 3/8"	OAS160GCA - 06138
81661	100	60	850	1040	115	25	66	28	G 3/8"	OAS160GCA - 06138
80792	100	60	900	1090	115	25	66	28	G 3/8"	OAS160GCA - 06138
81663	100	60	950	1140	115	25	66	28	G 3/8"	OAS160GCA - 06138
81664	100	60	1000	1190	115	25	66	28	G 3/8"	OAS160GCA - 06138